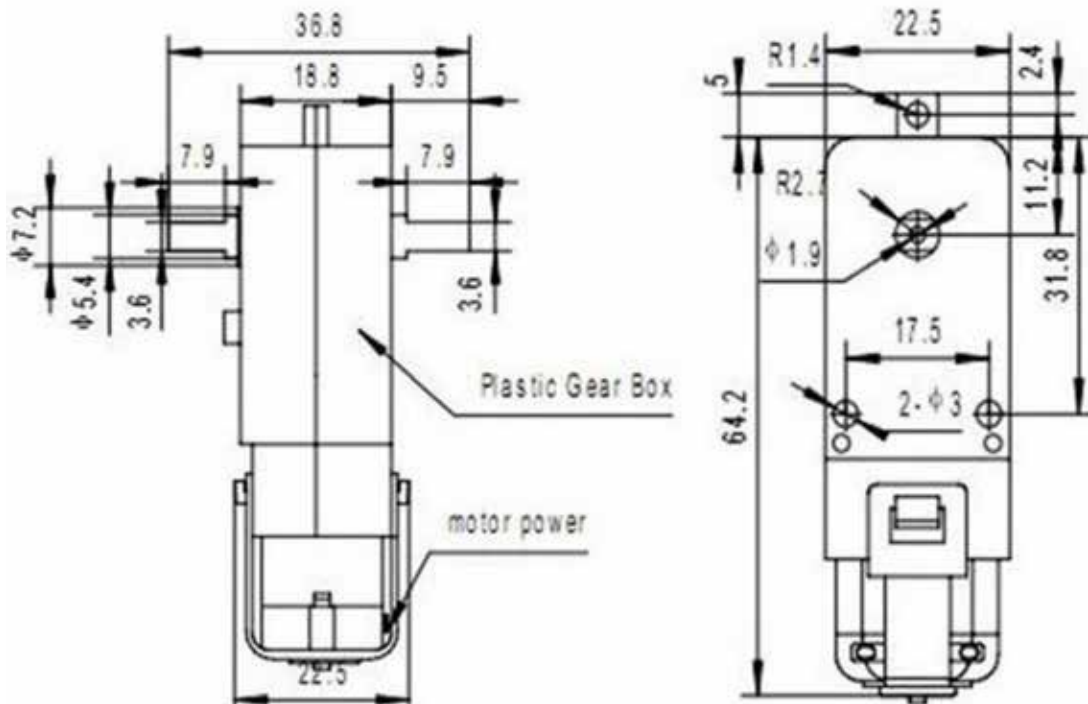


Motor Specification

- Gear ratio: 48:1
- Voltage input range: DC 3-12V
- Nominal operating voltage: DC 6-8V
- Speed (no load): 11000310%rpm
- Current (no load): $\leq 0.1A$
- Max Current (@Max Load): $\leq 0.85A$
- Torque: 900 gf.cm

Motor Dimensions

- Diameter: 22.5mm
- Length: 69mm
- Shaft length: 37 mm
- Shaft diameter: 3.6mm



Rubber wheel:

- Hub Material: ABS
- Dimension: 66x28mm